

Eco Heritage T8 ϕ 26mm



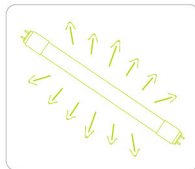
Value

Competitive price without sacrificing product reliability, it matches the general illumination requirement of household.



- **The easiest transition and the most simple way from fluorescent to LED**

The easiest transition from fluorescent to LED lighting, the most simple way to replace T8 fluorescent tube without any modification on the existing fixtures, and no wiring is required when replace T8 fluorescent tube, greatly reduces maintenance and labor cost.



- **The innovative optical design**

The signature optical design has improved the effect of optional LED light beam ,it can provide an uniform and soft light without any dark area, and Luxram is leading in providing a wide beam angle up to 270°of LED T8 tube over competitions .



- **The better compatibility**

Being tested by a variety of ballasts, Luxram LED T8 tube is almost compatible with the majority of electronic ballasts and magnetic ballast.



- **The excellent lighting performance**

Thanks to the innovative LED technology and the strong RD capability, Luxram LED T8 tube takes the overwhelming advantage of a higher lumen output up to 2200lm,22W.





- **Designed package**

The 100% recyclable paper tube,the signature and family artwork design as well as the smart plane hole which provides the most convenience to hang or seat the lamps on shelf.

Product Specification

Eco Heritage T8 ϕ 26mm
Specification Sheet: 76418102.01
Date: 08/01/2016

Common characteristics

 230V	 Not Dimmable
 G13	 Ra≥80
 15000H	 0.0s
 100,000 times	 IP20
 <6	 0mg

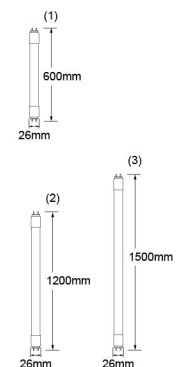


Product specifications

Art. No	Watt (W)	Current (mA)	Colour Temp	Lumen (lm)	lm/W	PF	Length (mm)	Packing
764181021 ⁽¹⁾	9	63	White	800	60	0.5	600	30
764181022 ⁽¹⁾	9	63	Coolwhite	800	60	0.5	600	30
764181023 ⁽¹⁾	9	63	Warmwhite	800	60	0.5	600	30
764181061 ⁽²⁾	18	133	White	1800	115	0.5	1200	30
764181062 ⁽²⁾	18	133	Coolwhite	1800	115	0.5	1200	30
764181063 ⁽²⁾	18	133	Warmwhite	1800	115	0.5	1200	30
764181081 ⁽³⁾	22	160	White	2200	136	0.5	1500	30
764181082 ⁽³⁾	22	160	Coolwhite	2200	136	0.5	1500	30
764181083 ⁽³⁾	22	160	Warmwhite	2200	136	0.5	1500	30

The size and appearance

Item	Product				Carton	
	Measurement(mm) L D		Weight	Casing Material	Measurement(mm) L × W × H	Weight
Eco Heritage T8 Φ26mm	600	26	0.253kg	Engineering material	695x237x205	7.5kg
	1200	26	0.51kg	Engineering material	1305x175x178	12.5kg
	1500	26	0.63kg	Engineering material	1605x175x178	16kg

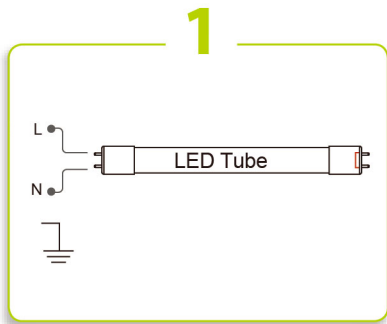


Product Specification

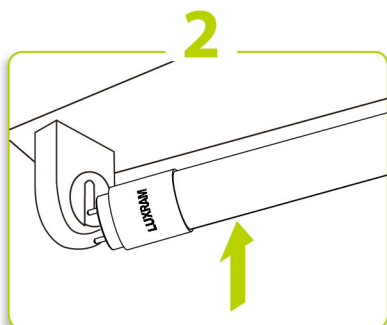
Eco Heritage T8 Φ26mm
Specification Sheet: 76418102.01
Date: 08/01/2016

Quick Installation Guide

There are three situations for the installation of LED T8, please chose the right way to install our LED T8.



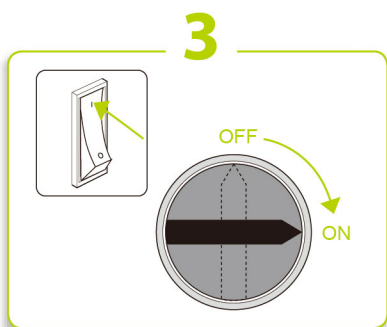
Drawing of LED T8



Install LUXRAM LED T8

The end with printing is the power side.

⚠ The end with no printing is banned to connect L/N LINES, for two pins plug inside has made a direct short circuit which brings the danger of electric shock if you connect this side with lines.

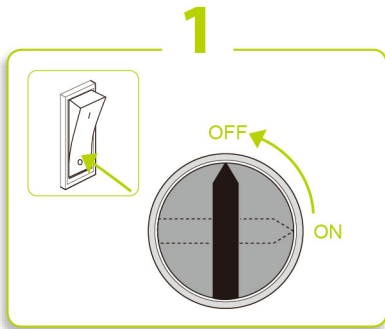


Mains On

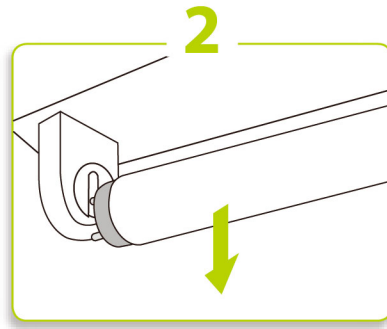
Product Specification

Eco Heritage T8 Φ26mm
Specification Sheet: 76418102.01
Date: 08/01/2016

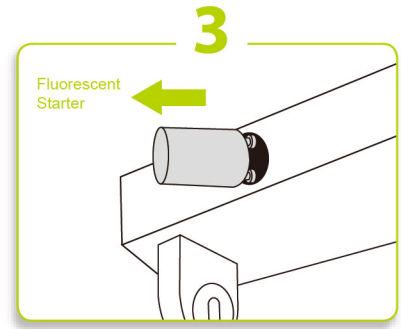
Quick Installation Guide



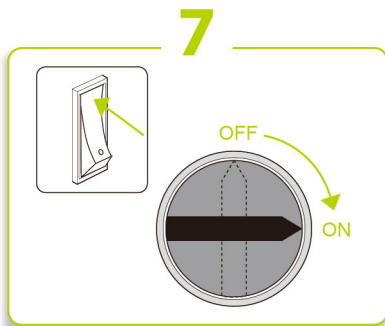
Mains Off



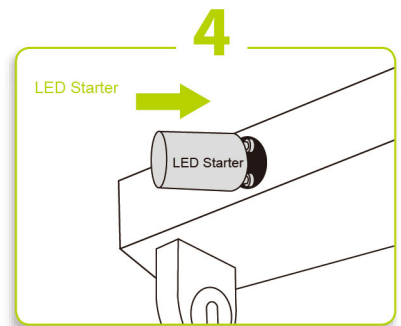
Remove all existing FLUORESCENT Tubes from luminaires



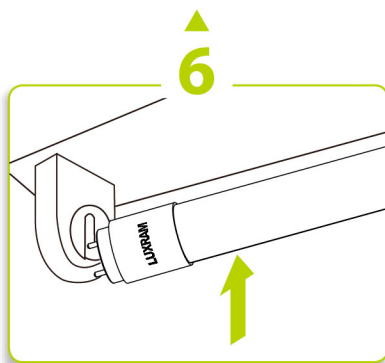
Remove the existing starter



Mains On

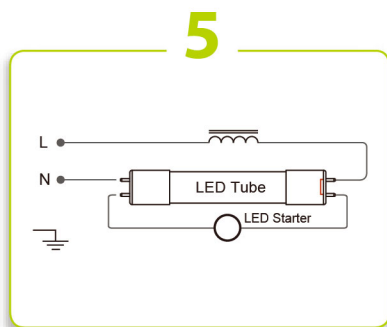


Install the LED starter

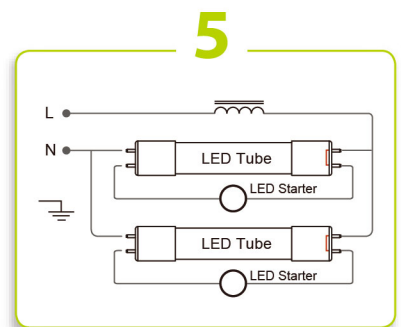


Install LUXRAM LED tube

No need to distinguish the side with printing or not, LED T8 will be lighted when it is connected with lines from two sides.



Drawing of the Installation of one tube

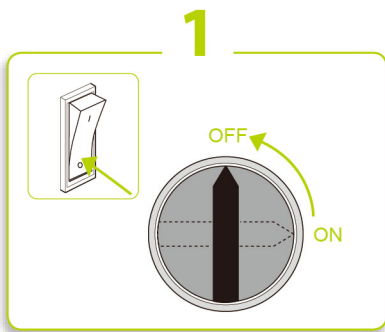


Drawing of the installation of two tubes

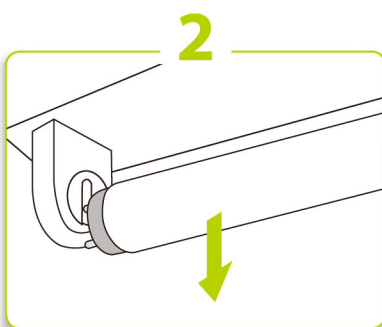
Product Specification

Eco Heritage T8 Φ26mm
Specification Sheet: 76418102.01
Date: 08/01/2016

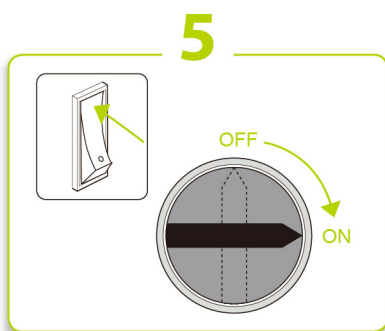
Quick Installation Guide



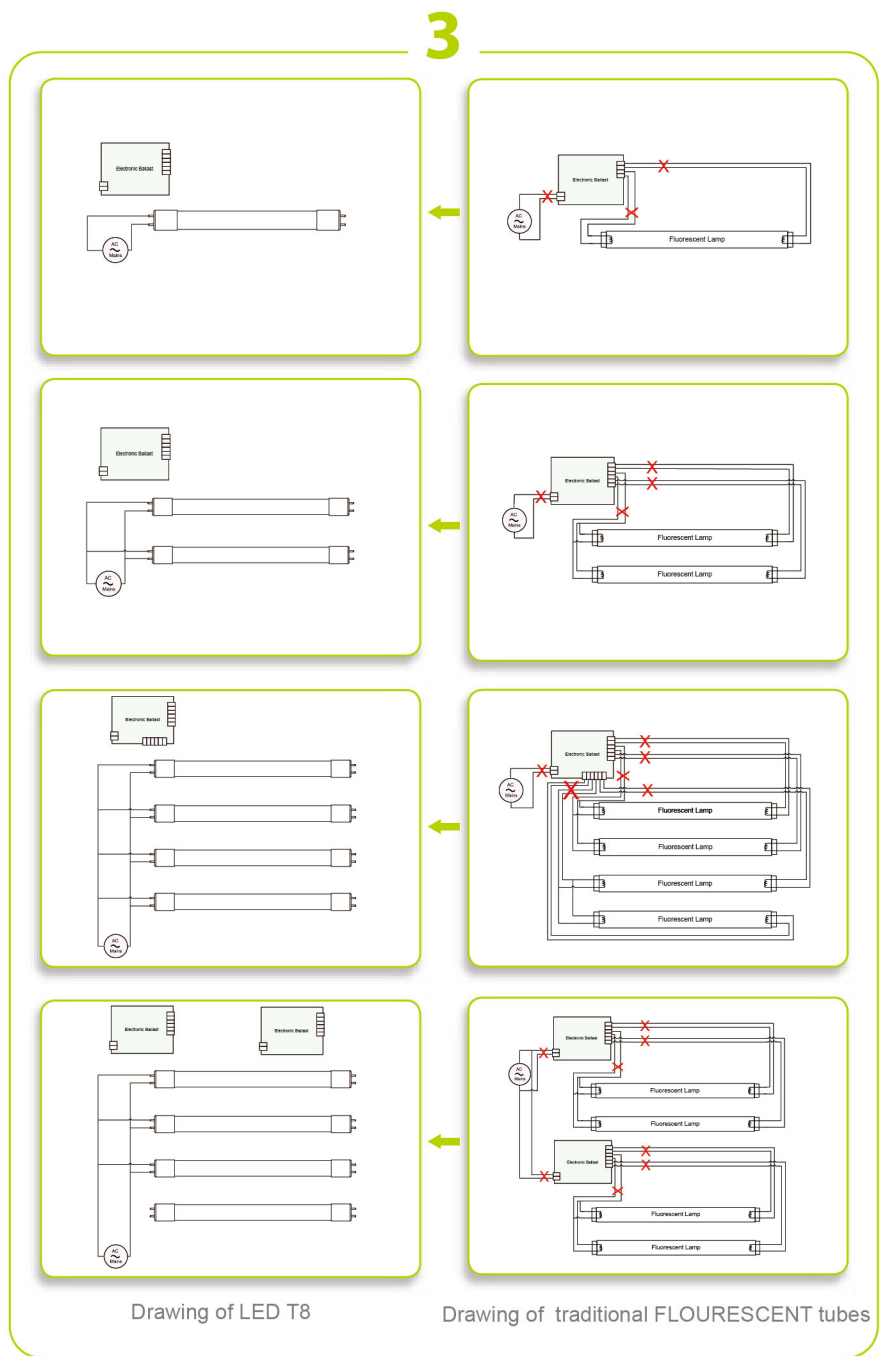
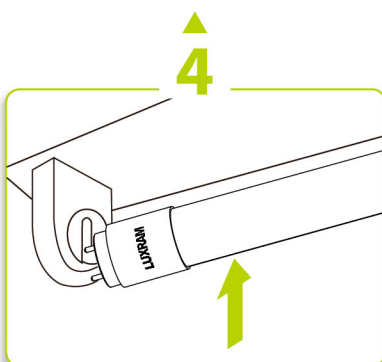
Mains Off



Remove all existing FLUORESCENT Tubes from luminaires



Mains On



Drawing of LED T8

Drawing of traditional FLOURESCENT tubes

Remove the electric ballast and link the line. the same way to install two or more tubes

Install LUXRAM LED T8

The end with printing is the power side.

⚠ The end with no printing is banned to connect L/N LINES, for two pins plug inside has made a direct short circuit which brings the danger of electric shock if you connect this side with lines.

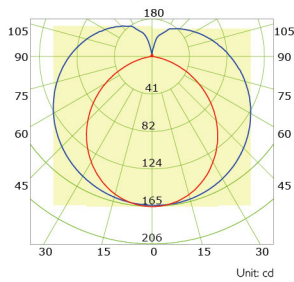
Product Specification

Eco Heritage T8 Φ 26mm
Specification Sheet: 76418102.01
Date: 08/01/2016

Technical Information

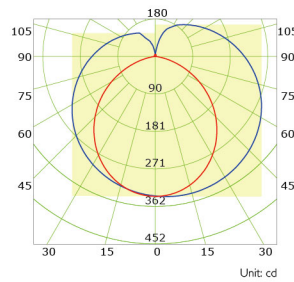
LUMINOUS INTENSITY DISTRIBUTION DIAGRAM

9W



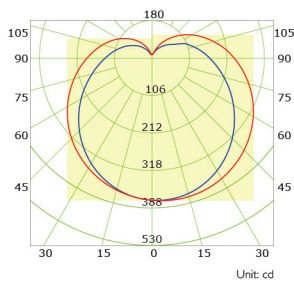
— C0-C180 — C90-C270

18W



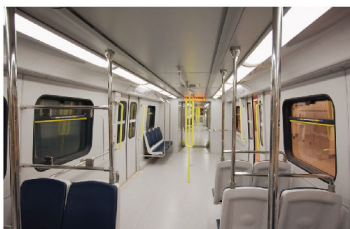
— C0-C180 — C90-C270

22W



— C0-C180 — C90-C270

Application



- Ideal for use in offices, production areas, commercial areas and shops.

WARNING

CAUTIONS AND OPERATING INSTRUCTIONS

NOTES OF SAFETY

Prior to working on any electrical equipment, please remember to keep off the electrical supply (remove fuse/switch off at the mains switch) . Check there is no voltage present. Any installation work must only be carried by competent electrician in this voltage free condition.

CAUTION!

Important: Do not touch tube in use or just after use as there is a risk of being burnt (Let the tube cool down)
Do not cover it with paper or cloth
Take off from flammable materials
Please ensure that the tube socket mounted
Warning: avoid contact with water of the inner parts
Keeping your eyes with a security distance
the light could cause damage

Product Specification

Eco Heritage T8 Φ26mm
Specification Sheet: 76418102.01
Date: 08/01/2016

Disposal information

For more information:
www.luxramlighting.com



Certificate & award



RoHS

Erp

EMF

Beijing Luxram Lighting Ltd
Floor 10, East Wing, Zhubang 2000
Business Center No.1, Chaoyang,
0086-10-85866344

Manufacturing Plant:
Beijing Qing Guang Lighting Ltd
No.2, the 4th South Street, Yanqi Industrial Zone,
Huai Rou, Beijing, 101400, China
0086-10-69667021

©2015-2016 Beijing Luxram Lighting Ltd. All rights reserved.
Printed in china
www.luxramlighting.com