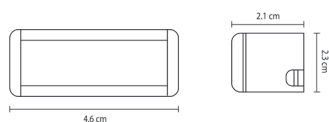


ARTIGO (REFERÊNCIA) <i>Producto Product</i>	LS-6-350 MB IP20
SÉRIE <i>Serie Series</i>	LS
TIPO <i>Tipo Type</i>	Transformador <i>Transformador Transformer</i>
TECNOLOGIA <i>Tecnología Technology</i>	Corrente constante AC/DC 350mA <i>Corriente constante Constant current</i>
CÓDIGO DE BARRAS <i>Código de barras Barcode</i>	--
COR <i>Color Colour</i>	Branco <i>Blanco White</i>
MATERIAL <i>Material Material</i>	Plástico <i>Plástico Plastic</i>

DIÂMETRO (D.) <i>Diámetro Diameter</i>	--
ALTURA (A.) <i>Altura Height</i>	2,1cm
COMPRIMENTO (C.) <i>Longitud Length</i>	5,4cm
LARGURA (L.) <i>Ancho Width</i>	2,3cm
PESO <i>Peso Weight</i>	--



INFORMAÇÃO GERAL

Información General | General Information

Índice de proteção <i>Índice de Protección Protection Index</i>	IP20
Classe de proteção <i>Clase de protección Protection class</i>	II
Fator de potência <i>Factor de potencia Power factor</i>	0,7
Número de LED <i>Número de LED LED number</i>	--
Secção de entrada <i>Sección de entrada Input section</i>	--
Secção de saída <i>Sección de salida Output section</i>	--

INFORMAÇÃO TÉCNICA

Información técnica | Technical information

Tensão de entrada <i>Voltaje de entrada Input voltage</i>	220-240Vac
Frequência <i>Frecuencia Frequency</i>	50/60Hz
Potência <i>Potencia Power</i>	6W max.6,3W
Corrente de entrada (máx) <i>Corriente de entrada (máx) Input current (max)</i>	0,07A
Tensão de saída <i>Voltaje de salida Output voltage</i>	5..18Vdc 25Vdc
Corrente de saída <i>Corriente de salida Output current</i>	350mA

Eficiência (%) <i>Eficiencia Efficiency</i>	--
Temperatura ambiente (Ta) <i>Temperatura ambiente Ambient temperature</i>	50°C
Temperatura Invólucro (Tc) <i>Temperatura de la carcasa Case temperature</i>	80°C
Isolação <i>Aislamiento Insulation</i>	SELV

PROTEÇÕES

Protecciones | Protections

Proteção curto circuito (SCP) <i>Protección contra cortocircuitos Short circuit protection</i>	Sim <i>Sí Yes</i>
Proteção sobrecarga (OPP) <i>Protección de sobrecarga Overload protection</i>	Sim <i>Sí Yes</i>
Proteção sobreaquecimento (OTP) <i>Protección contra sobrettemperatura Over temperature protection</i>	--
Proteção sobretensões (OVP) <i>Protección contra sobretensiones Overvoltage protection</i>	Sim <i>Sí Yes</i>
Proteção de sobrecarga (L-N) <i>Protección de sobrecarga Surge protection</i>	--
Tremulação <i>Parpadeo Flicker</i>	Sim <i>Sí Yes</i>
Potência sem carga <i>Energía sin carga No-load power</i>	<0,5W
Função regulação <i>Función de regulación Dimming function</i>	--

6W Constant Current -LS Series

LS-6-XXX MB

■ Approve

SELV CE

■ Features

- Class II, SELV, Built-in
- Input Voltage 220-240VAC
- Protections: SCP/OLP/OVP
- Power Factor >0.7
- Efficiency ≥76%
- 5 years warranty

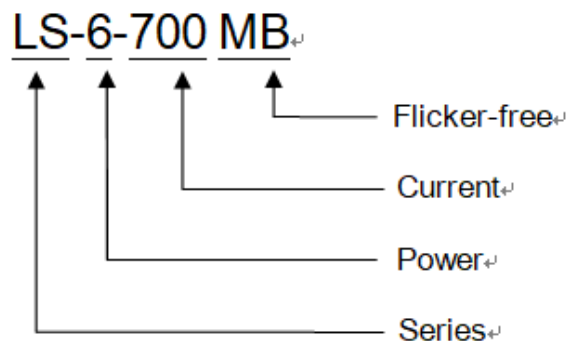
■ Applications

- LED panel
- LED spot light
- LED down light
- LED Wall light

■ Description

LS-6-XXX MB is a 6W constant current LED driver with 120 to 700mA output current. With its compact dimensions from 54 x 23 x 21 mm it is easy to integrate in LED Panel, spot, down light and wall light products. To ensure trouble-free operation, protection is provided against output short circuit and over Load.

■ Model code



6W Constant Current -LS Series

LS-6-XXX MB

■ Specification

Input	Rated input voltage	220-240VAC			
	Range of input voltage	176-264VAC			
	DC voltage range	176-280V			
	Frequency(Hz)	0/50/60 Hz			
	Power Factor	>0.7@Full Load,230VAC			
	Input Current max	0.07A MAX. @Full Load,176VAC			
	Start-up time	< 0.5S			
	Unload Power Consumption	≤0.5W			
	Inrush Current	10A Max.			
	Leakage Current	< 0.7mA(240VAC)			
	Output	Constant Current	120mA	150mA	...
Unload voltage Max.		59VDC	59VDC	...	20VDC
Voltage Range(VDC)		8.5-40VDC	8.5-40VDC	...	2.5-9VDC
Rated power		4.8 W Max.	6 W Max.	...	7W Max.
Current Accuracy		±5% @Full Load , 230VAC			
Voltage Regulation		±5% @Full Load , 220-240VAC			
Load Regulation		±5% @220-240VAC			
Hold-up Time		1s max.@Full Load			
Ripple& Noise *Note.2		≤±5% @Full Load , 230VAC			
Output LF current ripple(<120Hz)		≤±3% @Full Load , 230VAC			
Efficiency(Typ.)		≥76%			
Protection	Over Load Protection	103-180% Protection type: Auto Resume			
	Over Voltage Protection	> 59VDC	> 59VDC	...	> 20VDC Protection type: Auto Resume
	Short circuit Protection	Protection type: Auto Resume			
Environment	Operating Temperature	-20°C...+50°C			
	tc	80°C			
	Storage Temperature	-25°C...+60°C			
	Life time	> 30,000h@50°C			
Others	Humidity	20%-90%RH			
	Dimension	54 x 23 x 21 (LXWXH)			
Safety & EMC	Safety standards	EN 61347-1; EN61347-2-13; EN62384			
	Withstand voltage	Input-Output : 3750V/5mA/1min			
	Isolation resistance	Input-Output : ≥4MΩ@500VDC			
	EMI	EN55015; EN61000-3-2 Class C; EN61000-3-3			
	EMS	EN 61547; EN 61000-4-2; EN 61000-4-5 —500V;			
Note	1.All parameters NOT specially mentioned are measured at 230VACinput , full load and 25°C of ambient temperature. 2.Ripple & Noise are measured at 20MHz of bandwidth by using a 300mm twisted pair-wire terminated with a 0.1uF & 47 uF parallel capacitor.				

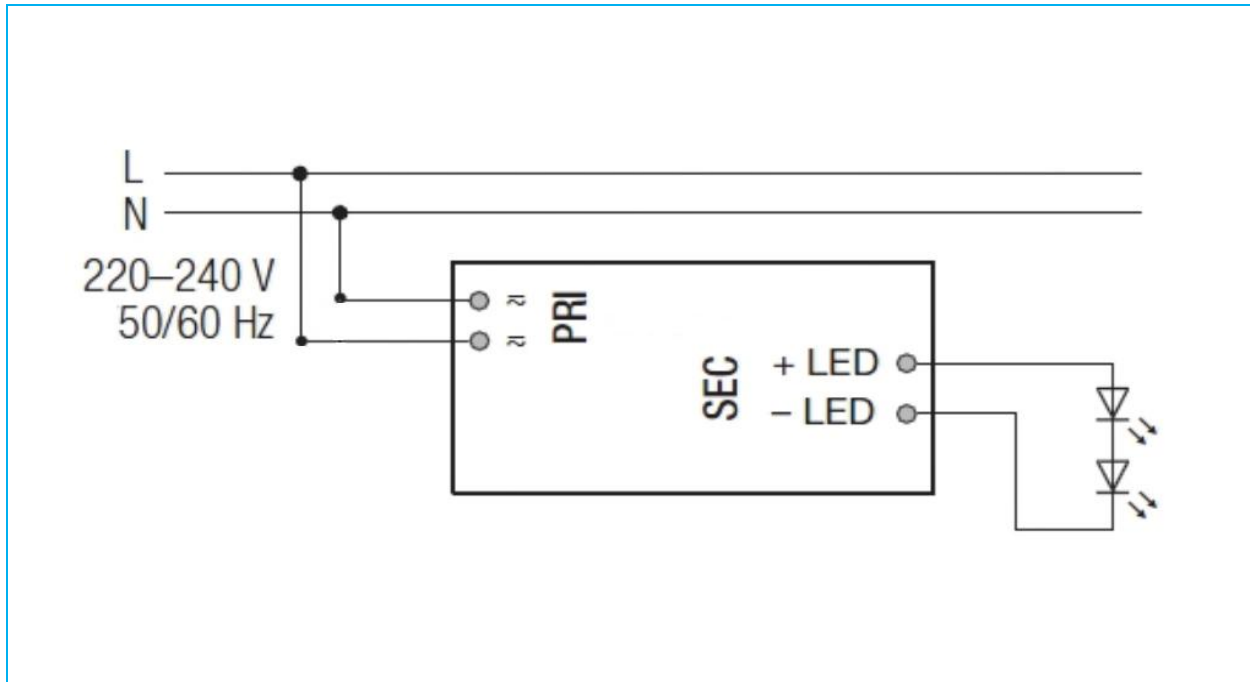
6W Constant Current -LS Series

LS-6-XXX MB

■ Model list

No.	Model number	Input			Output			
		Voltage (VAC)	Max. Current (A)	Frequency (Hz)	Constant current (mA)	Normal working voltage (VDC)	No load working voltage (VDC)	Max. Power(W)
1	LS-6-120 MB	220-240	0.07	50/60	120	8.5-40	59	4.8
2	LS-6-150 MB	220-240	0.07	50/60	150	8.5-40	59	6
3	LS-6-200 MB	220-240	0.07	50/60	200	7.5-30	45	6
4	LS-6-250 MB	220-240	0.07	50/60	250	5-24	35	6
5	LS-6-300 MB	220-240	0.07	50/60	300	5-20	34	6
6	LS-6-350 MB	220-240	0.07	50/60	350	5-18	25	6.3
7	LS-6-400 MB	220-240	0.07	50/60	400	5-15	25	6
8	LS-6-450 MB	220-240	0.07	50/60	450	5-13.5	24	6.1
9	LS-6-500 MB	220-240	0.07	50/60	500	2.8-12	23	6
10	LS-6-550 MB	220-240	0.07	50/60	550	2.8-11	22	6.1
11	LS-6-600 MB	220-240	0.07	50/60	600	2.5-10	25	6
12	LS-6-650 MB	220-240	0.07	50/60	650	2.5-9.5	25	6.2
13	LS-6-700 MB	220-240	0.07	50/60	700	2.5-9	25	6.3

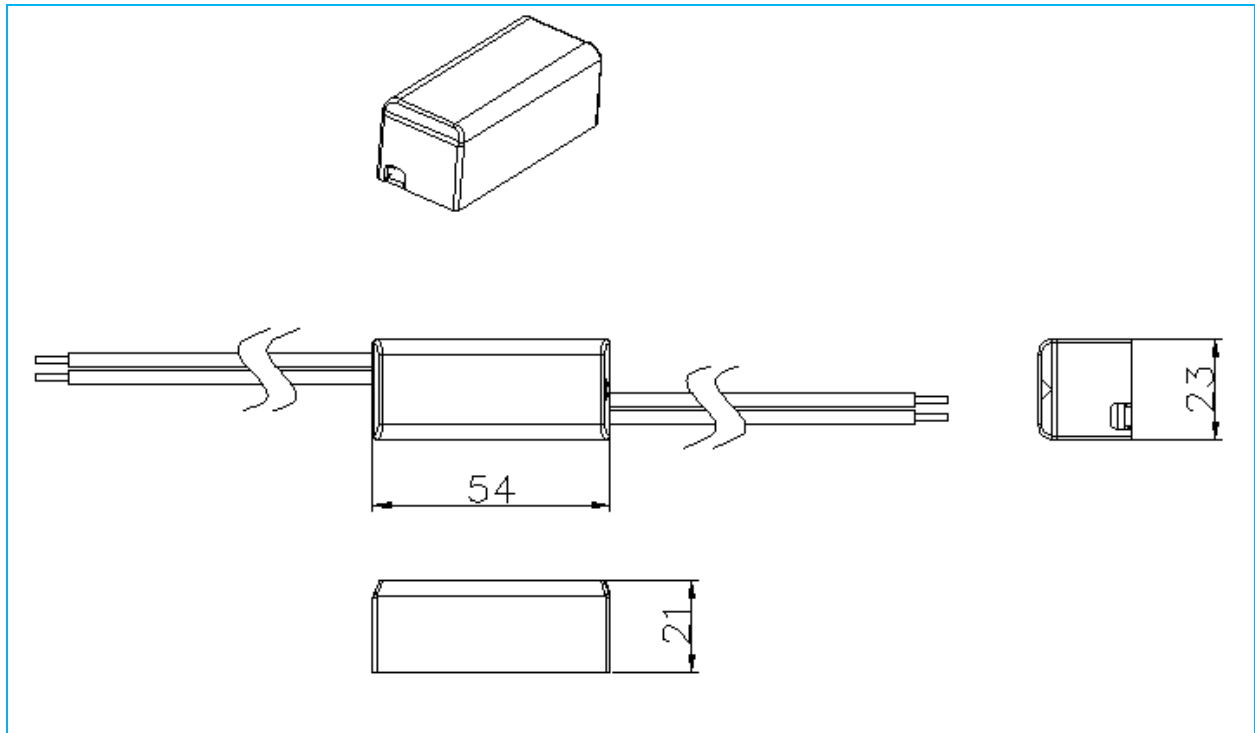
■ Wiring diagram



6W Constant Current -LS Series

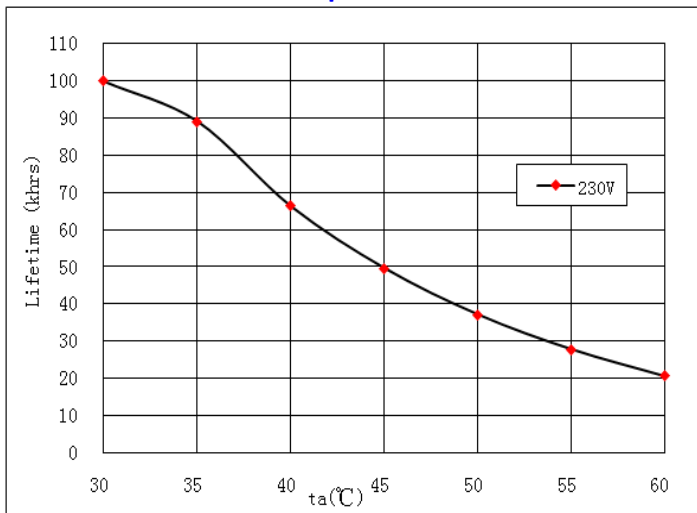
LS-6-XXX MB

■2D diagram

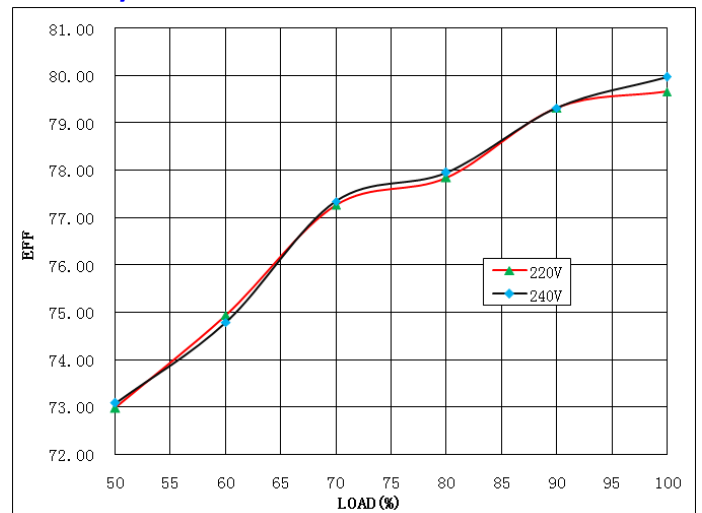


■Curve for LS-6-700 MB

Lifetime vs. Ambient Temperature Curve



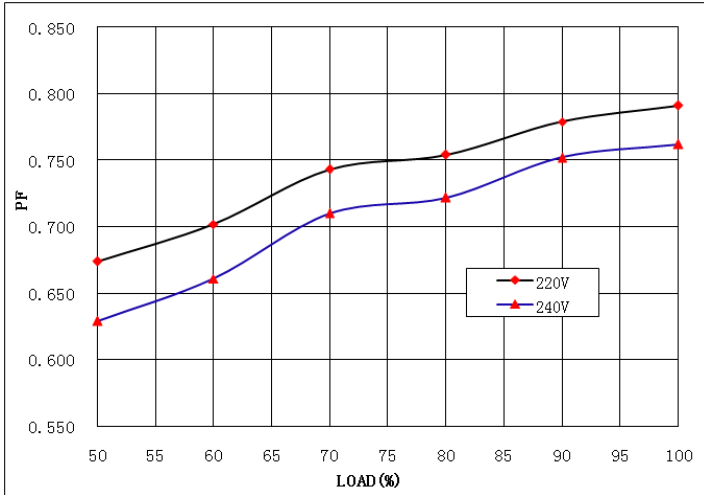
Efficiency vs. Load



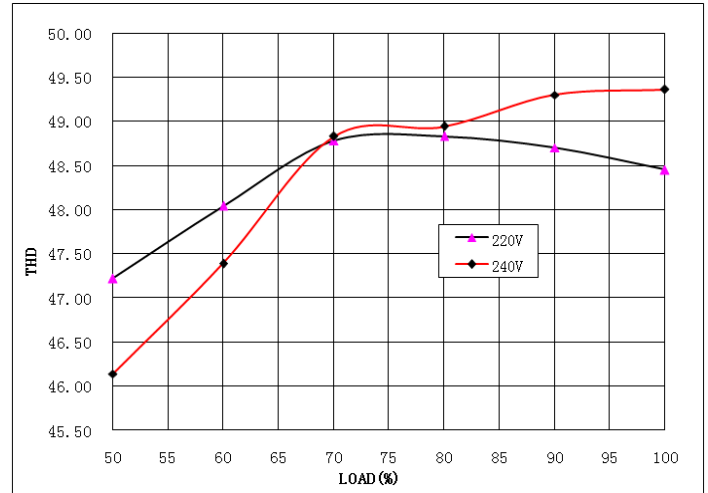
6W Constant Current -LS Series

LS-6-XXX MB

Power Factor Characteristics



THD vs. Load (EN61000-3-2 Class A)



■ Operating window

